



**REV410
INSTRUCTION MANUAL
&
CERTIFICATION WARRANTY
FOR
REVOLUTION ARMORY**

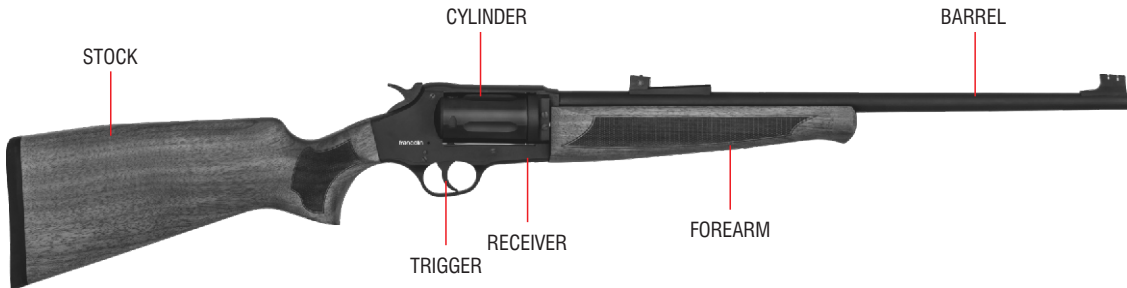
GUN SAFETY RULES

Observe these rules of safe gun handling.

1. Always keep the muzzle pointed in a safe direction. Watch the muzzle at all times: never point a gun, accidentally or intentionally, at any person or anything you do not intend to shoot. Identify the target before shooting; do not shoot at sounds.
2. Always treat a gun as if it is loaded - it may be!
3. Keep your finger off the trigger while operating the action and at all other times until you are ready to shoot.
4. Keep the safety "on" or in the "safe" position at all times until you are ready to fire.
Do not rely on your gun's safety, the safety on any gun is a mechanical device and is not intended as a substitute for common sense or safe gun handling.
5. Learn how your gun functions and handles. If you do not thoroughly understand the proper use and care of your gun, seek the advice of someone who is knowledgeable.
6. Do not alter or modify any part of the firearm.
7. Store guns unloaded, separate from any ammunition, and out of the reach of children.
8. Be sure the barrel is clear of any obstructions before loading. Make it a habit to check the barrel every time before loading.
9. Be sure you have and use the proper ammunition. **USE ONLY HIGH QUALITY .410 CALIBER AMMUNITION FOR YOUR REVOLVER SHOTGUN**

-
10. Wear protective shooting glasses and adequate ear protection when shooting.
 11. Never climb or jump over anything, such as a tree, fence, or ditch, with a loaded gun. Open the barrel, remove the shells and hand the gun to someone else or place it on the ground on the other side of the obstacle before crossing it yourself. Do not lean a gun against a tree or other object; it could fall and possibly discharge.
 12. Do not shoot at a hard surface or at water - Bullet and shot can ricochet or bounce off and travel in unpredictable directions with great velocity.
 13. Never transport a loaded gun. DO not place a loaded gun into a vehicle. The gun should be unloaded and placed into a case when not in use.
 14. Never drink alcoholic beverages before or during shooting.

ABOUT YOUR REVOLVER SHOTGUN



10. Wear protective shooting glasses and adequate ear protection when shooting.

General Safety Rules

1. Always keep your Revolver unloaded after shooting.
2. Be careful not to squeeze of the trigger while the Revolver is empty.
3. Keep the safety "on" while loading the cartridge.
4. Never point the Revolver to people or dwellings while loading and do not attempt to load in closed areas.
5. Never leave a loaded Revolver unattended.
6. Do not forget to unload the shotgun if you decide not to shoot.

Revolver Operation

Revolver has a cylinder with 5 (five) chambers, turning around a central axis which allows you to fire five shots. When the cylinder is locked in position, the firearm is ready for firing. The shots may be fired by single action (by cocking the hammer and thereafter, pulling the trigger) or by double action (by merely pulling the trigger). Single and double action causes the cylinder to advance, aligning in succession, each of the chambers with the barrel.

Loading The Cylinder

Point the barrel in a safe direction and with the thumb of the right hand (see fig. 1), push the thumb piece forward (see step 1) and at the same time press the cylinder, swinging it out to the left (see step 2). Holding the gun with the muzzle pointing

downward and the cylinder in its outermost position insert the cartridges (see figure 2). Once loaded, the cylinder must be closed again gently but firmly to its original position in the frame until it latches. After this, the locking must be checked.

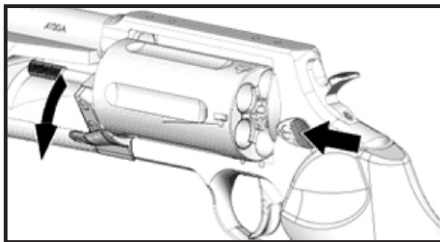


FIG 1

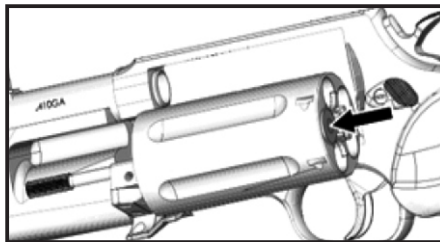
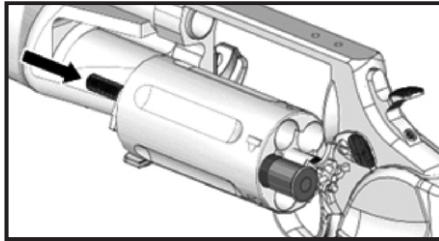


FIG 2

Unloading The Cylinder

To unload the gun, the process is the same as to load it, but after opening, the barrel is pointed upward. Cartridges are then ejected by pressing sharply on the extractor rod. Be sure that all fired cartridges are ejected. The cylinder is now ready to be reloaded. The spent cases will be hot and may have sharp edges. Exercise caution when removing the cases or injury may occur.



Loading

1. **DANGER** : Always make sure the muzzle is pointed in a safe direction.
2. **SAFETY FIRST** : Never attempt to load or unload any firearm inside a vehicle, building or other confined space (except a properly constructed shooting range). Enclosed areas frequently do not offer a completely safe direction to point the firearm; if an accidental discharge occurs, there is a great risk of injury or property damage.
3. **SAFETY FIRST** : Before loading, always clean all grease and oil from the bore and chamber, and check to be certain that no obstruction is in the barrel. Any foreign matter in the barrel could result in a bulged or burst barrel or other damage to the firearm, and could cause serious injury to the shooter or to others.

Firing

1. **DANGER** : Keep the muzzle pointed in a safe direction and your finger away from the trigger when cocking any firearm.

2. WARNING : Never carry, handle or leave unattended any firearm which is cocked and ready to fire. When cocked, it will fire from slight pressure on the trigger. An accidental discharge could easily result if you fall or drop the firearm, or if the firearm is struck or disturbed by someone or something.

3. WARNING : Never fire any gun with your finger, hand, face, or other part of your body over or adjacent to the cylinder gap between the cylinder face and the forcing cone. The release of excess gases and hot particles from that point are part of the normal operation of firearm, and pose no safety hazard to the shooter if the firearm is held in a normal grip and fired at arm's length (in the case of a firearm) as intended by its design.

4. CAUTION : Never allow other persons to stand beside you where they might be struck by ejected particles or gases. These are hot, and may be ejected with sufficient force to cause a burn or cut or injury to an unprotected eye. Make certain there is a clear, unobstructed path for safe ejection of these gases and particles.

5. DANGER : If while shooting, your firearm develops ANY mechanical malfunction or binding, or “spits” powder or gas from the muzzle, or if a cartridge primer is punctured or a cartridge case is bulged or ruptured, or if the report on firing does not sound quite right, STOP SHOOTING IMMEDIATELY. It may be dangerous to continue.

UNLOAD THE FIREARM. DO NOT try “one more shot”. Take the firearm and ammunition to a gunsmith for examination.

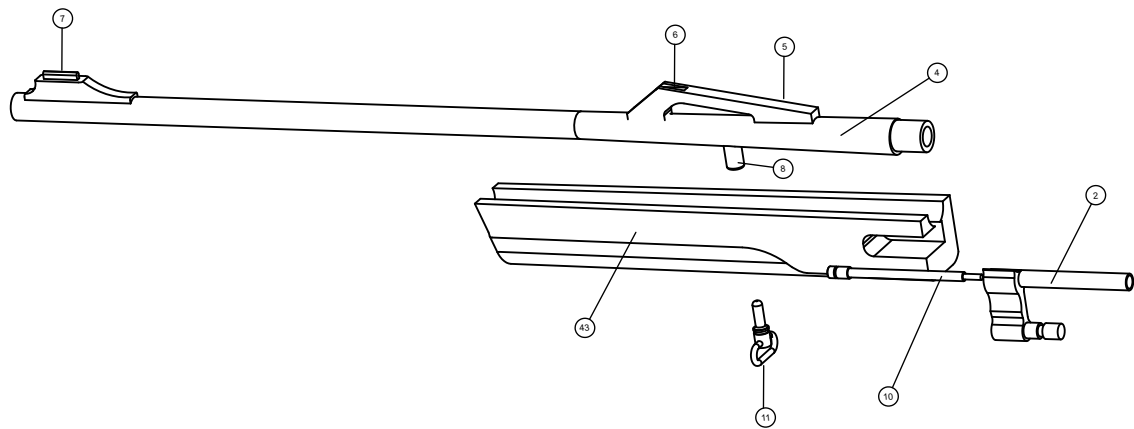
6. SAFETY FIRST : While shooting any firearm, a cartridge case may occasionally become jammed against the breech face, impairing the ability of the cylinder to turn freely. Clear the jam as follows, **WHILE KEEPING THE MUZZLE POINTED IN A SAFE DIRECTION AND YOUR FINGERS WELL CLEAR OF THE TRIGGER:** push the cylinder release and attempt to open the cylinder. If the cylinder swings open, eject all cartridges and spent cases. Inspect the cartridges and the breech before resuming shooting. **DO NOT REUSE THE EJECTED CARTRIDGES.**

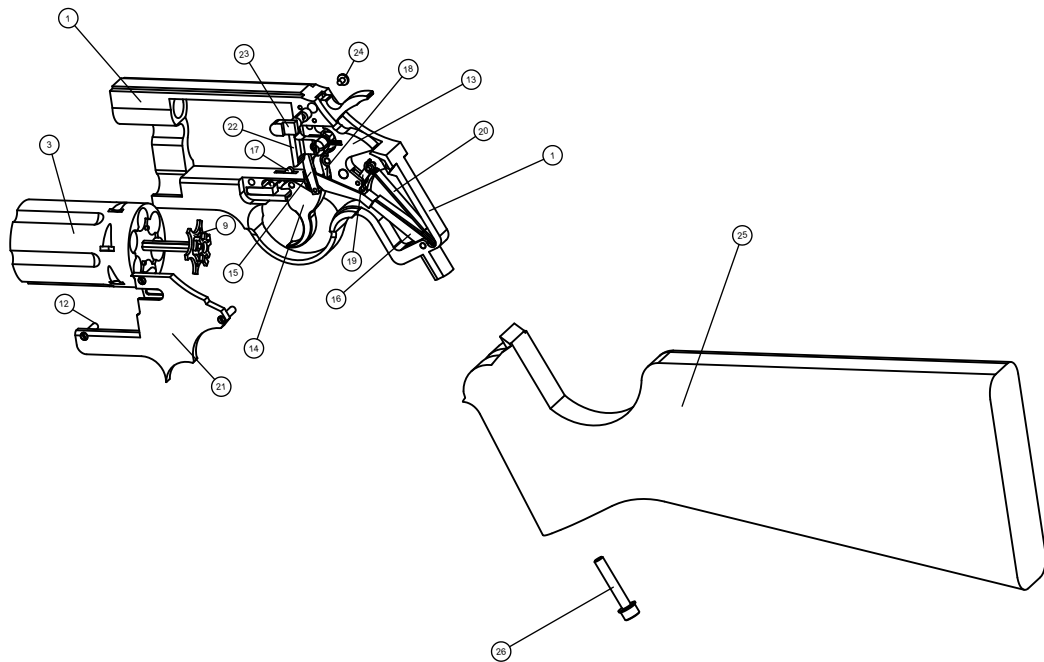
Care and Maintenance

- A.** The gun may be cleaned and lubricated under normal conditions without the need of any disassembly.
- B.** In special conditions, such as repairs, when disassembling is necessary, it is recommended the gun be returned to the factory or sent to a competent gunsmith or to the importer.
- C.** In order to keep a gun in perfect condition it must be kept clean and covered with a slight film of good quality oil to prevent corrosion. This is especially necessary after use.
- D.** For normal cleaning of firearm not used or kept in storage for some time, it is necessary to rub it with a lightly oiled cloth. In the same way proceed with the bore of the barrel. The excess oil must be removed, but a thin protecting film should remain. Also the dust should be removed from all crevices with a small, clean brush.
- E.** Due to the unique design of the Revolver frequent thorough cleaning is necessary. Pay particular attention to the forward face of the cylinder where the excess residue may build up causing the cylinder to bind or drag, as with all shotguns. For cleaning after shooting, it is of special importance that all residues of powder be removed from barrel and other adjacent areas subject to such deposits, using an appropriate brush. If particles of lead and plastic debris are detected in barrel they must be scrubbed with a brass brush, evenly drenched with oil, to clean inside the barrel and internal region where the barrel joins the frame. Once cleaned, lubrication should be done as described above. When shooting more than 100 rounds in a row, this cleaning procedure should be repeated before further shooting.
- F.** Plastic tracings will accumulate at the choke construction over time. Any commercial plastic solvent designed to deal with this problem is suitable for use - follow the recommendations of the manufacturer carefully.

Care and Maintenance

- A.** The gun may be cleaned and lubricated under normal conditions without the need of any disassembly.
- B.** In special conditions, such as repairs, when disassembling is necessary, it is recommended the gun be returned to the factory or sent to a competent gunsmith or to the importer.
- C.** In order to keep a gun in perfect condition it must be kept clean and covered with a slight film of good quality oil to prevent corrosion. This is especially necessary after use.
- D.** For normal cleaning of firearm not used or kept in storage for some time, it is necessary to rub it with a lightly oiled cloth. In the same way proceed with the bore of the barrel. The excess oil must be removed, but a thin protecting film should remain. Also the dust should be removed from all crevices with a small, clean brush.
- E.** Due to the unique design of the Revolver frequent thorough cleaning is necessary. Pay particular attention to the forward face of the cylinder where the excess residue may build up causing the cylinder to bind or drag, as with all shotguns. For cleaning after shooting, it is of special importance that all residues of powder be removed from barrel and other adjacent areas subject to such deposits, using an appropriate brush. If particles of lead and plastic debris are detected in barrel they must be scrubbed with a brass brush, evenly drenched with oil, to clean inside the barrel and internal region where the barrel joins the frame. Once cleaned, lubrication should be done as described above. When shooting more than 100 rounds in a row, this cleaning procedure should be repeated before further shooting.
- F.** Plastic tracings will accumulate at the choke construction over time. Any commercial plastic solvent designed to deal with this problem is suitable for use - follow the recommendations of the manufacturer carefully.
- G.** Do not keep firearms in contact with materials that attract moisture or possess a certain degree of acidity, or in environments with great variation of temperature or of humidity.
- H.** If the firearm is to be stored for a long period of time, extreme care should be taken with metal surfaces, in order to protect them against corrosion.





PART LIST

1- Trigger Mechanism	11- Forearm Screw	21- Trigger Mechanism Cover
2- Yoke	12- Receiver Screw	22- Latch
3- Cylinder	13- Hammer	23- Safety
4- Barrel	14- Trigger	24- Safety Screw
5- Rear Sight	15- Cylinder Connection Pin	25- Stock
6- Rear Sight Setting	16- Lever	26- Stock Connection Pin
7- Front Sight	17- Positioning Lock	
8- Forearm Connection Pin	18- Hammer Lift	
9- Extractor	19- Spring Connection Pin	
10- Extractor Rod	20- Hand Spring	

NOTES

“A true hunter, is he who has a deep respect for the game, abides by all laws and practice proper game management.”

“Hunting it’s more than a hobby, hunting it’s a lifestyle. It keeps the population of any game animal at a healthy rate. It prevent starvation and orver-population.”



KIRICI

For the hunter inside you

KRC AV ENERJİ TH. İHR. GERİ DÖN. SAN. TİC. LTD. ŞTİ.

Çözümlü Mah. Tuztaji Sk. no.40 Beyşehir / Konya

Tel/Fax: +903325246898

Email:info@krcav.com

www.krcav.com